



Local Governments Empowering Our Communities

# 2019 Energy Code & Beyond: What Local Governments Need To Know

March 3, 2020



# Programs

- Single Family Home+
- Green Labeling
- Bay Area Multifamily Building Enhancement (BAMBE)
- Commercial Pay for Performance
- Water Bill Savings
- Codes and Standards

# Codes and Standards

*Joint effort of Bay Area local governments to support the development and implementation of tools, best practices, trainings, and policies for accelerating compliance with, and exceeding, California Title 24, Part 6.*



## Two Broad Areas of Effort

- **Compliance Improvement:** Investigate areas for improvement in code enforcement processes & offer solutions
- **Policy:** Share best practices & develop regional resources for going above code



# Codes and Standards

## Energy Code Trainings

- **Free**, in-person, on demand, short & long versions, ICC CEUs
- Topics include:
  - Reach Codes 
  - 2019 Energy Code Changes – Res & Nonres 
  - Heat Pump Water Heaters
  - Residential ZNE for New Construction
  - HERS Registry
  - And more, including non-residential topics

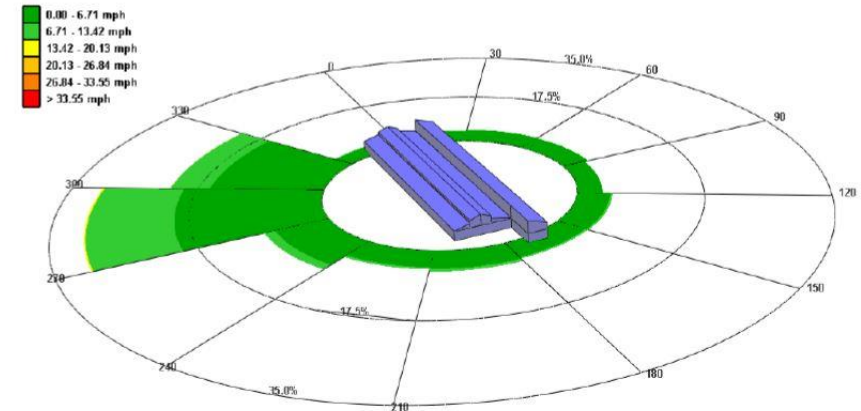


<https://www.bayrencodes.org/services/trainings/>

# Codes and Standards

## Municipal ZNE Assistance

- **Technical Assistance: No-cost** engineering analysis to help local governments explore what it would take for municipal buildings to become ZNE, or to demonstrate ZNE policy feasibility for municipal building portfolios.
- **Municipal ZNE RFP and OPR Template Language:** Request for proposal (RFP) and owner project requirements (OPR) template language for local governments to encourage developers to construct new municipal buildings to ZNE.



# Codes and Standards

## ePermit Tool

A free, user-friendly online tool that provides information and building permit forms for three of the most common types of home projects:

- Replacing a hot water heater
- Replacing all or part of a roof
- Replacing or adding new windows



***Available at:***

<https://www.bayrenerpermittool.com/generic#!/>

# Presentations & Materials

All presentations & materials will be emailed to you and available on the <https://www.bayrencodes.org/events>



# Disclaimer

*The views expressed in these presentations are those of the author(s) and do not necessarily reflect the position of the Association of Bay Area Governments, the Bay Area Regional Energy Network or the jurisdictions that BayREN represents. Any questions pertaining to the views and information in the presentations should be directed to the author(s).*

# Meeting Agenda

- 8:30 am**      **Continental Breakfast & Networking**
- 9:00 am**      **Welcome & Introductions**  
Deborah Elliott, BayREN Representative, County of Napa
- 9:15 am**      **Keynote: Goals of 2019 Energy Code**  
Danny Tam, California Energy Commission
- 9:45 am**      **All-Electric Buildings: From Design to Reality**  
Brad Jacobson, Principal EHDD
- 10:15 am**      **Break**
- 10:30 am**      **Electrification Design Changes & Enforcement**  
Ted Tiffany, Guttman & Blaevoet
- 11:00 am**      **Efficient Electrical Technologies**  
Moderator: Rich Chien, BayREN Representative, San Francisco Department of the Environment  
Keith O'Hara, Eco Building Performance  
Todd Bell, Food Service Technology Center
- 11:40 am**      **Q&A with Speakers**  
Moderator: Rich Chien, BayREN Representative, San Francisco Department of the Environment  
All Speakers
- 11:55 AM**      **Closing Comments**  
Deborah Elliott, BayREN Representative, County of Napa

# Q&A with Speakers

**Danny Tam**

Technical Lead, California Energy Commission



**Ted Tiffany**

Director of Sustainability, Guttman & Blaevoet



**Brad Jacobson**  
Principal, EHDD



**Keith O'Hara**  
President, Eco Performance Builders



**Todd Bell**  
Senior Energy Analyst, Frontier Energy

# California – European Union Energy Efficiency Forum on April 6, 2020



SAVE THE DATE – APRIL 6, 2020

## California-European Union Energy Efficiency FORUM

Brower Center  
Berkeley, California

MORE DETAILS TO FOLLOW



A partnership of the European Union, Embassy of Belgium  
and California Energy Commission